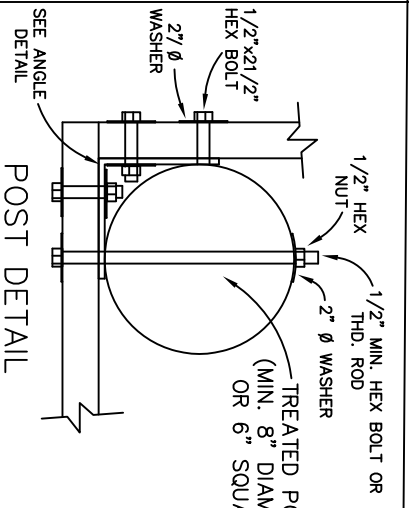
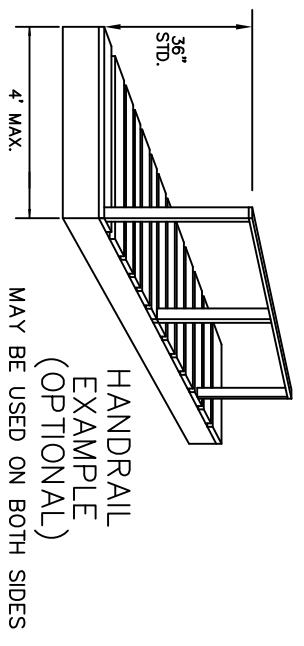
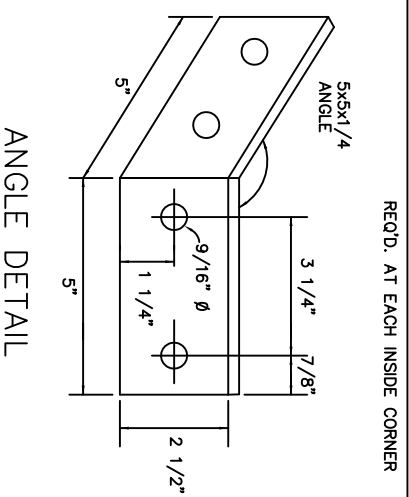
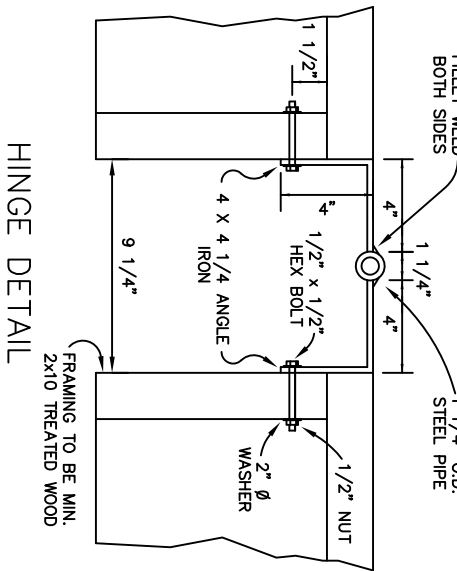
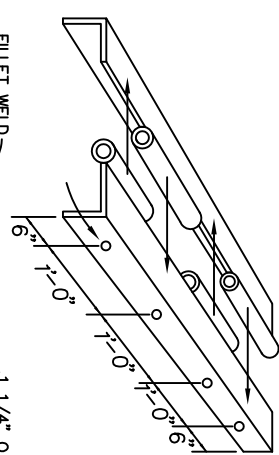
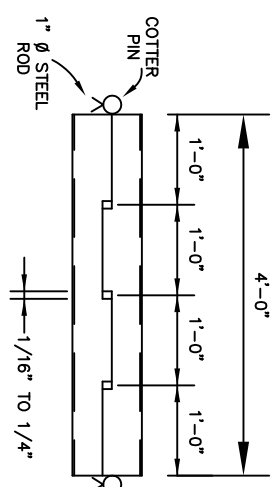
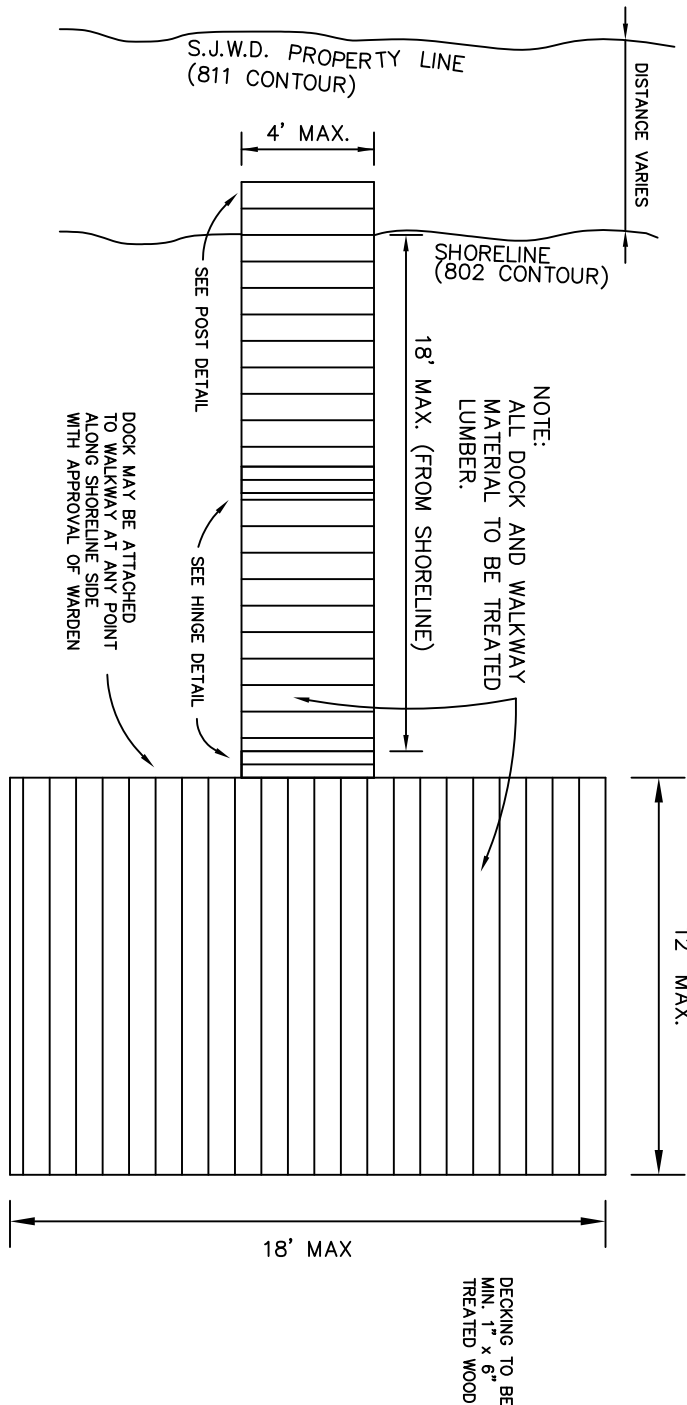


NOTE:
ALL DOCK AND WALKWAY MATERIAL TO BE TREATED LUMBER.



S.J.W.D. DOCK DETAIL

11/13/95